

KNO 011/KNC 011 New Panel Thermostat

IP20



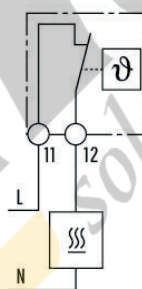
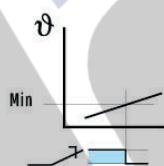
Panel thermostat

- Small, compact size (17.5mm wide)
- Snap action thermostatic Bimetal sensor
- Wide temperature setting range
- Long electrical life
- 35mm rail (EN 60715) mount

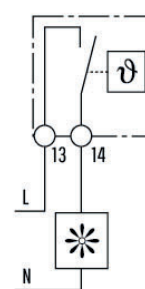
Heating control - Should the panel temperature fall below the (minimum) set temperature the contact will close to call for heat. The contact will open when this set temperature is exceeded.
 Ventilation control - Should the panel temperature exceed the (maximum) set temperature then the contact will close to call for cooling. The contact will open when the temperature falls below this set temperature.

Dimensions

• Heating control



• Ventilation control



Contact configuration		1 NC	1 NO
Rated current/Maximum peak current	A	10/20	10/20
Rated voltage/Maximum switching voltage	V AC	250/250	250/250
Rated load AC1	VA	2500	2500
Rated load AC 15 (230V AC)	VA	250	250
Single phase motor rating AC 3 (230V AC)	kW	0.125	0.125
Breaking capacity DC 1:30/110/220 V	A	1/0.3/0.15	1/0.3/0.15
Minimum switching load	mW (V/mA)	500 (12/10)	500 (12/10)
Standard contact material		AgNi	AgNi
Setting range (ventilation)	°C	-	-20...+40 +0...+60
Switch temperature differential	K	-	7±4
Setting range (heating)	°C	-20...+40	+0...+60
Switch temperature differential	K	7±4	-
Electrical life at rated load AC1	cycles	100 · 10 ³	100 · 10 ³
Ambient temperature range	°C	-45...+80	-45...+80
Protection category		IP 20	IP 20

KNO 011/KNC 011 New Panel Thermostat

IP20

Outline drawings

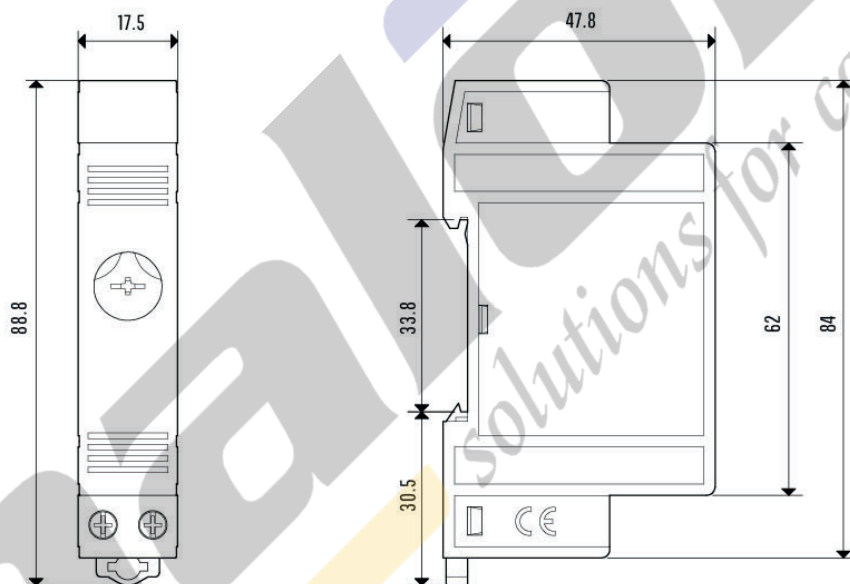
Screw terminal



Alarm output contact, Passive contact, AC250V 5A.

NO, close while function of dehumidifier is out of order.

Function out of order defined: Temperature sensor or humidity sensor fault; Duration of Dehumidifier work is over 24 hours, RH ≥ 80%RH.



Ordering information

Example: KNC/KNO Series, thermostat for ventilation control, contact activates ventilation should the panel temperature exceed the set value (max +60°C), 35mm rail (EN 60715) mount.

Insulation			
Dielectric strength between open contacts	V AC	500	
Other data			
Screw torque	Nm	0.5	0.5
Max. wire size		solid cable	stranded cable
	mm ²	1×2.5	1×1.5
	AWG	1×12	1×16
Model No.		KNO 011	NO Type for heating
		KNC 011	NC Type for cooling