

Automation

Pushbuttons and Pilot Lights Line Overview

The image displays a variety of industrial pushbuttons and pilot lights. The buttons come in different colors (red, green, yellow, blue, black) and shapes (cylindrical, rectangular, mushroom-shaped). Some have specific markings like a plus sign (+) and a minus sign (-). A yellow beam of light highlights a row of five buttons: a red one with a green top, a red one with a red top, a green one with a green top, a yellow one with a yellow top, and a red one with a red top. To the right of the buttons is a color selection chart consisting of 12 colored squares arranged in two columns of six. Below the buttons are electrical symbols for a 3-phase motor (M) and a transformer. A large watermark 'WEG solutions for control' is overlaid diagonally across the image.

Front Parts of the Command and Signaling Line - Installation Holes (Ø22 mm)

Double Pushbutton - IP66

Black Frame

Without Illumination		Illuminated		
LETTERING 0		CSW2-BDF2110 WH		CSW2-BDFI2110 WH
START STOP		CSW2-BDF21LD WH		CSW2-BDFI21LD WH
START STOP		CSW2-BDF21SS WH		CSW2-BDFI21SS WH
 0		CSW2-BDF0510 WH		CSW2-BDFI0510 WH
START STOP		CSW2-BDF05SS WH		CSW2-BDFI05SS WH
+ -		CSW2-BDF55PN WH		CSW2-BDFI55PN WH
↑ ↓		CSW2-BDF55FR WH		CSW2-BDFI55FR WH

Metal-Coated Frame

Without Illumination		Illuminated		
		CSW2-BDFC2110 WH		CSW2-BDFIC2110 WH
		CSW2-BDFC21LD WH		CSW2-BDFIC21LD WH
		CSW2-BDFC21SS WH		CSW2-BDFIC21SS WH
		CSW2-BDFC0510 WH		CSW2-BDFIC0510 WH
		CSW2-BDFC05SS WH		CSW2-BDFIC05SS WH
		CSW2-BDFC55PN WH		CSW2-BDFIC55PN WH
		CSW2-BDFC55FR WH		CSW2-BDFIC55FR WH



Extended Double Pushbutton - IP66

Black Frame

Without Illumination		Illuminated		
LETTERING 0		CSW2-BDS21 WH		CSW2-BDSI2110 WH
START STOP		CSW2-BDS21LD WH		CSW2-BDSI21LD WH
START STOP		CSW2-BDS2110 WH		CSW2-BDSI21SS WH
 0		CSW2-BDS0510 WH		CSW2-BDSI0510 WH
START STOP		CSW2-BDS05SS WH		CSW2-BDSI05SS WH

Metal-Coated Frame

Without Illumination		Illuminated		
		CSW2-BDSC21 WH		CSW2-BDSIC2110 WH
		CSW2-BDSC21LD WH		CSW2-BDSIC21LD WH
		CSW2-BDSC2110 WH		CSW2-BDSIC21SS WH
		CSW2-BDSC0510 WH		CSW2-BDSIC0510 WH
		CSW2-BDSC05SS WH		CSW2-BDSIC05SS WH



Triple Pushbutton - IP66

Black Frame

Without Illumination

LETTERING	Without Illumination	LETTERING	Without Illumination	LETTERING	Without Illumination	LETTERING	Without Illumination		
 STOP		CSW2-BTF2121IIS WH	↑ STOP		CSW2-BTF515FRD WH	+ STOP	CSW2-BTF515PNS WH	RESET 0	CSW2-BTF045IOR WH
→ STOP		CSW2-BTF2121RLS WH	↑ STOP		CSW2-BTF015FRS WH	+ STOP	CSW2-BTF515PND WH	START RESET STOP	CSW2-BTF045SSR WH
↑ STOP		CSW2-BTF2121FRS WH	→ STOP		CSW2-BTF015RLS WH	 RESET 0	CSW2-BTF2411ORM WH	START RESET STOP	CSW2-BTF241LDRM WH
↑ STOP		CSW2-BTF515FRS WH	↑ STOP		CSW2-BTF2121PNS WH	 RESET 0	CSW2-BTF2411OR WH	START RESET STOP	CSW2-BTF241LDR WH



Metal-Coated Frame

Without Illumination

LETTERING	Without Illumination	LETTERING	Without Illumination	
+ STOP		CSW2-BTFC15PNS WH	START RESET STOP	CSW2-BTFC045SSR WH
+ STOP		CSW2-BTFC15PND WH	RESET 0	CSW2-BTFC045IOR WH
 RESET 0		CSW2-BTFC2411ORM WH	START RESET STOP	CSW2-BTFC241LDRM WH
 RESET 0		CSW2-BTFC2411OR WH	START RESET STOP	CSW2-BTFC241LDR WH

Extended Triple Pushbutton - IP66

Black Frame

Without Illumination

LETTERING	Without Illumination	
RESET 0		CSW2-BTS2411ORM WH
RESET 0		CSW2-BTS2411OR WH
START RESET STOP		CSW2-BTS241LDRM WH
START RESET STOP		CSW2-BTS241LDR WH

Metal-Coated Frame

Without Illumination

Without Illumination	
	CSW2-BTSC2411ORM WH
	CSW2-BTSC2411OR WH
	CSW2-BTSC241LDRM WH
	CSW2-BTSC241LDR WH



Front Parts of the Command and Signaling Line - Installation Holes (Ø22 mm)

Pushbuttons - IP66

Flush

- CSW-BF0 WH
- CSW-BF1 WH
- CSW-BF2 WH
- CSW-BF3 WH
- CSW-BF4 WH
- CSW-BF5 WH



Guarded

- CSW-BGA0 WH
- CSW-BGA1 WH
- CSW-BGA2 WH
- CSW-BGA3 WH
- CSW-BGA4 WH
- CSW-BGA5 WH



Extended¹⁾

- CSW-BS0 WH
- CSW-BS1 WH
- CSW-BS2 WH
- CSW-BS3 WH
- CSW-BS4 WH
- CSW-BS5 WH



Flush Pushbutton

- CSW-BF10 WH
- CSW-BF11 WH
- CSW-BF12 WH
- CSW-BF13 WH
- CSW-BF14 WH
- CSW-BF16 WH²⁾



Extended Illuminated

- CSW-BSI0 WH
- CSW-BSI1 WH
- CSW-BSI2 WH
- CSW-BSI3 WH
- CSW-BSI4 WH
- CSW-BSI6 WH⁴⁾



Mushroom 40 mm

- CSW-BC0 WH
- CSW-BC1 WH
- CSW-BC2 WH
- CSW-BC3 WH
- CSW-BC4 WH
- CSW-BC5 WH



Mushroom with Latch - Twist to Release

- CSW-BCT0 WH
- CSW-BCT1 WH
- CSW-BCT2 WH
- CSW-BCT3 WH
- CSW-BCT4 WH
- CSW-BCT5 WH



Mushroom with Key

- CSW-BCY0 WH
- CSW-BCY1 WH
- CSW-BCY2 WH
- CSW-BCY3 WH
- CSW-BCY4 WH
- CSW-BCY5 WH



Illuminated Mushroom

- CSW-BCI0 WH
- CSW-BCI1 WH
- CSW-BCI2 WH
- CSW-BCI3 WH
- CSW-BCI4 WH
- CSW-BCI6 WH⁴⁾



Emergency Stop Pushbuttons - IEC 60497-5-5, ISO 13850 (EN 418)

Turn-To-Release

- CSW-BESG WH (standard)
- CSW-BESGS WH (side signaling)
- CSW-BESGM WH (with latch)



Pull-To-Release

- CSW-BESP WH (standard)
- CSW-BESPS WH (side signaling)
- CSW-BESPM WH (with latch)



Key Release

- CSW-BESY WH (standard)
- CSW-BESYS WH (side signaling)
- CSW-BESYM WH (with latch)



Front Parts of the Command and Signaling Line - Installation Holes (Ø22 mm)

Pushbuttons - IP66

Emergency Stop Pushbuttons - IEC 60497-5-5, ISO 13850 (EN 418)

Emergency Pushbuttons With Latch



CSW-BESPM WH

CSW-BESGM WH

CSW-BESYM WH

Pushbuttons - IP40

Illuminated

LETTERING		LETTERING		LETTERING	
I		CSW-BD WH		+	CSW-BD55PN WH
0		CSW-BD10 WH		-	CSW-BD55FR WH
START		CSW-BD12SS WH		↕	
STOP		CSW-BD05SS WH		↕	
		CSW-BD12 WH		↕	
		CSW-BD05 WH			



Main Certifications



Change-Over Switches - IP66

Knob - 2 Positions¹⁾

Fixed	Return
● CSW-CK2F45 WH	● CSW-CK2R45 WH
● CSW-CK2F90 WH	● CSW-CK2R90 WH

2 Positions Illuminated Selectors

Fixed
○ CSW-CKI2F900 WH
● CSW-CKI2F901 WH
● CSW-CKI2F902 WH
● CSW-CKI2F903 WH
● CSW-CKI2F904 WH
● CSW-CKI2F906 WH ²⁾

Lever - 2 Positions¹⁾

Fixed	Return
● CSW-CA2F45 WH	● CSW-CA2R45 WH
● CSW-CA2F90 WH	● CSW-CA2R90 WH

Knob with Key - 2 Positions¹⁾

Fixed	Return
● CSW-CY2F45 WH	● CSW-CY2R45 WH
● CSW-CY2F90 WH	● CSW-CY2R90 WH

Diagram						Flange
Handle position	Mounting position in the flange					
		-	2	3	1	-
4		2	5	1	3	5P
	□	□	□	□	□	
	■	■	■	■	■	

Front Parts of the Command and Signaling Line - Installation Holes (Ø22 mm)

Change-Over Switches - IP66

Knob - 3 Positions¹⁾



Fixed

CSW-CK3F45 WH

Return to the Center

CSW-CK3R45 WH

Return to the Left

CSW-CK3RE45 WH

Return to the Right

CSW-CY3R45 WH

Diagram						Flange
Handle position	Mounting position in the flange					
	I	-	2	3	1	-
II	4	2	5	1	3	5P
I	■	■				
0			☼			
II				■	■	

Lever - 3 Positions¹⁾



Fixed

CSW-CA3F45 WH

Return to the Center

CSW-CA3R45 WH

Return to the Left

CSW-CA3RE45 WH

Return to the Right

CSW-CY3RD45 WH

Knob with Key - 3 Positions¹⁾



Fixed

CSW-CY3F45 WH

Return to the Center

CSW-CY3R45 WH

Return to the Left

CSW-CY3RE45 WH

Return to the Right

CSW-CY3RD45 WH

3 Positions Illuminated Selectors



Fixed

- CSW-CKI3F450 WH
- CSW-CKI3F451 WH
- CSW-CKI3F452 WH
- CSW-CKI3F453 WH
- CSW-CKI3F454 WH
- CSW-CKI3F456 WH²⁾

Return to the Center

- CSW-CKI3R450 WH
- CSW-CKI3R451 WH
- CSW-CKI3R452 WH
- CSW-CKI3R453 WH
- CSW-CKI3R454 WH
- CSW-CKI3R456 WH²⁾

Return to the Left

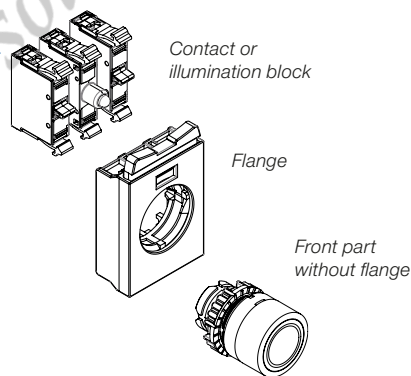
- CSW-CKI3RE450 WH
- CSW-CKI3RE451 WH
- CSW-CKI3RE452 WH
- CSW-CKI3RE453 WH
- CSW-CKI3RE454 WH
- CSW-CKI3RE456 WH²⁾

Return to the Right

- CSW-CKI3RD450 WH
- CSW-CKI3RD451 WH
- CSW-CKI3RD452 WH
- CSW-CKI3RD453 WH
- CSW-CKI3RD454 WH
- CSW-CKI3RD456 WH²⁾

How to order

- Frontal
- + Flange
- + Contact block
- + Illumination block



Pilot Lights - IP66

Pilot Lights - IP66



- CSW-SD0 WH
- CSW-SD1 WH
- CSW-SD2 WH

- CSW-SD3 WH
- CSW-SD4 WH
- CSW-SD6 WH²⁾

Notes: 1) Change-over switches in other colors, on request only;
2) For a better performance, use a yellow LED block.

Front Parts of the Command and Signaling Line - Installation Holes (Ø22 mm)

Accessories - Mounting in Flanges - Blue

Contact Blocks¹⁾



- BC01F-CSW 1 NC
- BC10F-CSW 1 NO
- BCA10F-CSW 1 NOa (advanced)
- BCR01F-CSW 1 Ncd (delayed)

Self-Monitoring Contact Block



- BCM01F-CSW 1 Nc (monitoring of the mechanical assembly of the pushbuttons CSW-BES)

Illumination Blocks with Integrated LED



- CSW-BIDLF-0♦ E25 - 12 V ac/dc
- CSW-BIDLF-1♦ E26 - 24 V ac/dc
- CSW-BIDLF-2♦ E27 - 48 V ac/dc
- CSW-BIDLF-3♦ D61 - 110-130 V ac
- CSW-BIDLF-4♦ C13 - 125 V dc
- CSW-BIDLF-4♦ D66 - 220-240 V ac

Voltage Step-Down Blocks



- CSW-BRT2F Application voltage: 220 V dc. Use with LED illumination block model: CSW-BIDLF-_C13 (125 V dc)
- CSW-BRT4F Application voltage: 380-460 V ac. Use with LED illumination block model: CSW-BIDLF-_D66 (220-240 V ac)

Illumination Block Ba9s with Lamp + Resistor + Diode



- CSW-BIRDF-D66 (Power supply 220-240 V ac)

Socket Block for Light Bulb Ba9s



- CSW-BIDF Maximum voltage 380 V / 2 W

Push-On/Push-Off Block



- CSW-BRF-3P
- Note: Use only with:
 - BC01F (1 NC)
 - BCA10F (1 NO - advanced)

Flange for Installation of the Contact and Illumination Blocks



- AF3F (3 positions)



- AF5F (5 positions)

Set of Door Tabs and Plastic Tabs 27 x 18 mm



- Black and red tab APP30
- APP60 (double headed pushbuttons)
- Transparent tab APP30T
- APP60T (double headed pushbuttons)

Incandescent Lamps



- L6VI-E48-0,6 W (6 V ac/dc)
- L12VI-E25-1,8 W (12 V ac/dc)
- L24VI-E26-2 W (24 V ac/dc)
- L48VI-E27-2 W (48 V ac/dc)
- L60VI-E28-1,2 W (60 V ac/dc)
- L130VI-E30-2 W (130 V ac/dc)
- L220VI-E31-2 W (220 V ac/dc)

Guard for Emergency Pushbutton



- GBES

Emergency Stop Plate



- APE

Reduction Ring Ø30 mm - Ø22 mm

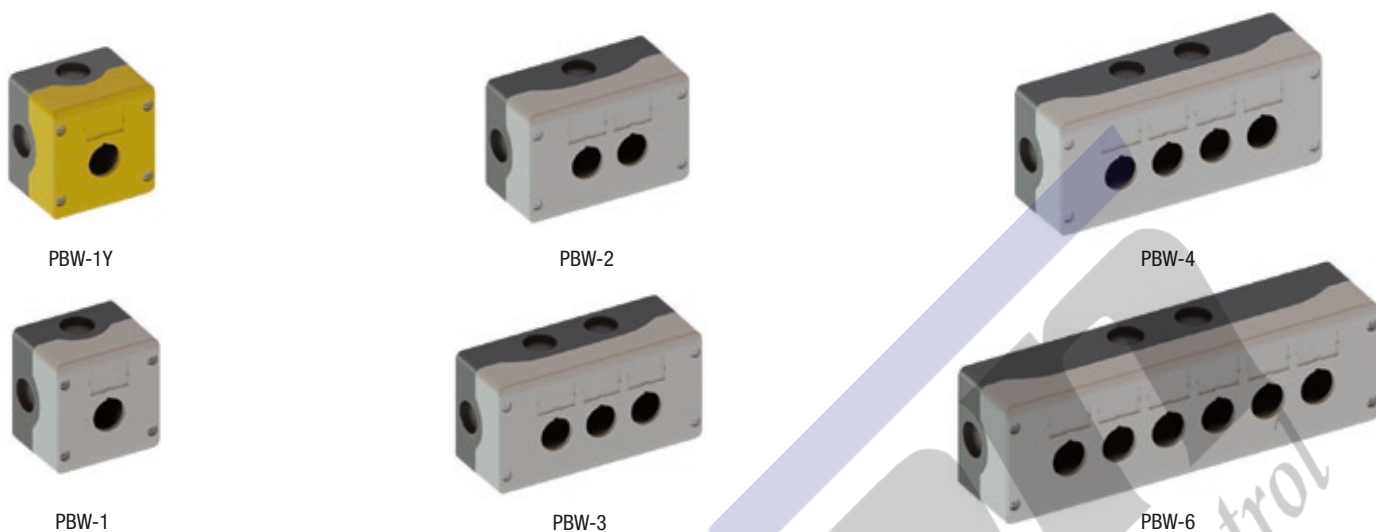


- AR30

Note: 1) Check the maximum number of contact blocks per front part on the catalog of the CSW line, model 50009820.

Front Parts of the Command and Signaling Line - Installation Holes (Ø22 mm)

Decentralized Control Stations - Hole Ø22 mm



PBW Line Accessories

Contact Block



BC01B-CSW 1 NC
BC10B-CSW 1 NO

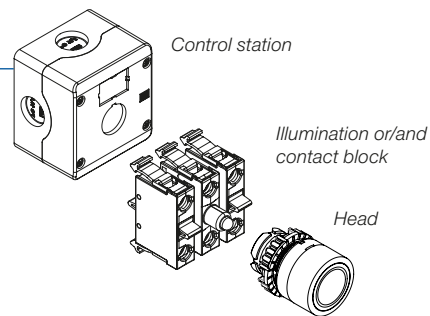
Illumination Blocks with Integrated LED



- CSW-BIDLB-0♦
 - CSW-BIDLB-1♦
 - CSW-BIDLB-2♦
 - CSW-BIDLB-3♦
 - CSW-BIDLB-4♦
- ♦ E25 - 12 V ac/dc
E26 - 24 V ac/dc
E27 - 48 V ac/dc
D61 - 110-130 V ac
C13 - 125 V dc
D66 - 220-240 V ac

How to order

- Head
- + Illumination or/and contact block
- + Control station



Common Accessories

Pushbutton Protection



APBF (flush and diffuse signal lights)
APBI (flush illuminated and extended pushbuttons)
APBD (double headed pushbuttons IP40)
APB2D (double headed pushbuttons IP66)
APB2T (triple headed pushbuttons IP66)

Hole Plug



Round plug for unused Ø22 mm holes

WEG Worldwide Operations

ARGENTINA

San Francisco - Cordoba
Phone: +54 3564 421484
info-ar@weg.net

Cordoba - Cordoba
Phone: +54 351 4641366
weg-morbe@weg.com.ar

Buenos Aires
Phone: +54 11 42998000
ventas@pulverlux.com.ar

AUSTRALIA

Scoresby - Victoria
Phone: +61 3 97654600
info-au@weg.net

AUSTRIA

Markt Piesting - Wiener
Neustadt-Land
Phone: +43 2633 4040
watt@wattdrive.com

BELGIUM

Nivelles - Belgium
Phone: +32 67 888420
info-be@weg.net

BRAZIL

Jaraguá do Sul - Santa Catarina
Phone: +55 47 32764000
info-br@weg.net

CHILE

La Reina - Santiago
Phone: +56 2 27848900
info-cl@weg.net

CHINA

Nantong - Jiangsu
Phone: +86 513 85989333
info-cn@weg.net

Changzhou - Jiangsu
Phone: +86 519 88067692
info-cn@weg.net

COLOMBIA

San Cayetano - Bogota
Phone: +57 1 4160166
info-co@weg.net

ECUADOR

El Batan - Quito
Phone: +593 2 5144339
ceccato@weg.net

FRANCE

Saint-Quentin-Fallavier - Isère
Phone: +33 4 74991135
info-fr@weg.net

GERMANY

Türnich - Kerpen
Phone: +49 2237 92910
info-de@weg.net

Balingen - Baden-Württemberg
Phone: +49 7433 90410
info@weg-antriebe.de

Homburg (Efze) - Hesse
Phone: +49 5681 99520
info@akh-antriebstechnik.de

GHANA

Accra
Phone: +233 30 2766490
info@zestghana.com.gh

INDIA

Bangalore - Karnataka
Phone: +91 80 41282007
info-in@weg.net

Hosur - Tamil Nadu
Phone: +91 4344 301577
info-in@weg.net

ITALY

Cinisello Balsamo - Milano
Phone: +39 2 61293535
info-it@weg.net

JAPAN

Yokohama - Kanagawa
Phone: +81 45 5503030
info-jp@weg.net

MALAYSIA

Shah Alam - Selangor
Phone: +60 3 78591626
info@wattdrive.com.my

MEXICO

Huehuetoca - Mexico
Phone: +52 55 53214275
info-mx@weg.net

Tizayuca - Hidalgo
Phone: +52 77 97963790

NETHERLANDS

Oldenzaal - Overijssel
Phone: +31 541 571080
info-nl@weg.net

PERU

La Victoria - Lima
Phone: +51 1 2097600
info-pe@weg.net

PORTUGAL

Maia - Porto
Phone: +351 22 9477700
info-pt@weg.net

RUSSIA and CIS

Saint Petersburg
Phone: +7 812 363 2172
sales-wes@weg.net

SOUTH AFRICA

Johannesburg
Phone: +27 11 7236000
info@zest.co.za

SPAIN

Coslada - Madrid
Phone: +34 91 6553008
wegiberia@wegiberia.es

SINGAPORE

Singapore
Phone: +65 68589081
info-sg@weg.net

Singapore
Phone: +65 68622220
watteuro@watteuro.com.sg

SCANDINAVIA

Mölnlycke - Sweden
Phone: +46 31 888000
info-se@weg.net

UK

Redditch - Worcestershire
Phone: +44 1527 513800
info-uk@weg.net

UNITED ARAB EMIRATES

Jebel Ali - Dubai
Phone: +971 4 8130800
info-ae@weg.net

USA

Duluth - Georgia
Phone: +1 678 2492000
info-us@weg.net

Minneapolis - Minnesota
Phone: +1 612 3788000

VENEZUELA

Valencia - Carabobo
Phone: +58 241 8210582
info-ve@weg.net

For those countries where there is not a WEG own operation, find our local distributor at www.weg.net.



WEG Group - Automation Business Unit
Jaraguá do Sul - SC - Brazil
Phone: +55 47 3276 4000
automacao@weg.net
www.weg.net

