



Product Data Sheet  
**GW62502**

IEC 309 HP range



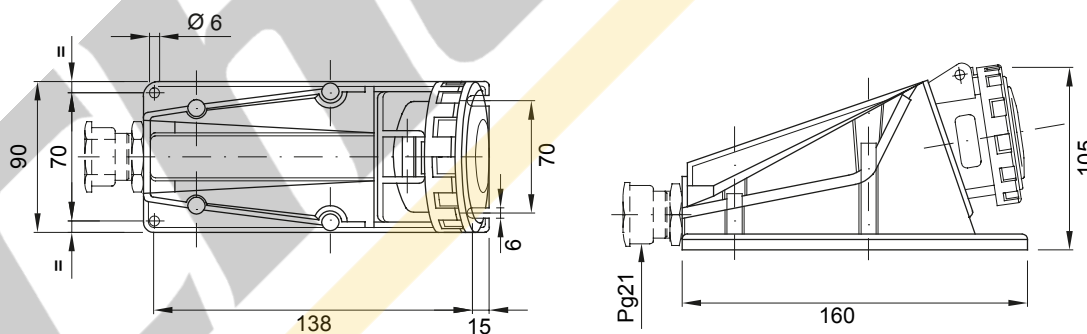
A range of trailing and fixed plugs and socket-outlets for industrial use, complying with the dimensional and performance standards unified at International level (IEC 60309) and assimilated by the European Standards (EN 60309) and Italian Standards (CEI 23-12). Socket-outlets and plugs with a rated current of 63 and 125A are equipped with an extra pilot contact (CP) for creating an electric interlock. The range is completed with 90° fixed plugs and 10° and 90° fixed socket-outlets. Sleeves and pins are obtained from solid brass bar, type Pt. CuZn40Pb2 (Cu 58%, Zn 40%, Pb 2%); anti-loosening terminals with unlosable screws, and built-in cable clamp with anti-abrasion cable gland.

|                             |   |                              |  |
|-----------------------------|---|------------------------------|--|
| Colour                      | Blue  | Rated current (A)            | 16   |
| IP degree                   | IP67  | No. of poles                 | 3P+N+E   |
| Mechanical resistance       | IK08  | Reference h                  | 9  |
| Rated voltage               | 200 - 250 V                                   | Type                         | 90° angled surface-mounting socket-outlet                                |
| Frequency                   | 50/60 Hz                                      | Terminal tightening capacity | 1-2.5mm <sup>2</sup> flexible cables - 1.5-4mm <sup>2</sup> rigid cables |
| Operating temperature       | -25 +55 °C                                    | Type of wiring               | With screw   |
| Electrocod                  | 2211  | Glow wire test               | 850 °C (active parts) - 650 °C (passive parts)                           |
| Total number of operations  | > 5000  | Permissible overload         | 22 A   |
| Breaking capacity at 1.1 Un | 20 A  | Insulation resistance        | > 10 MΩ  |
| Thermo-pressure with ball   | 125 °C (active parts) - 80 °C (passive parts) |                              |  |

**BEHAVIOUR WITH CHEMICAL AND ATMOSPHERIC AGENTS**

| Saline solution | Acids         |                    | Bases              |           | Solvents  |           |           |            | Mineral oil | UV rays   |
|-----------------|---------------|--------------------|--------------------|-----------|-----------|-----------|-----------|------------|-------------|-----------|
|                 | Concentrated  | Diluted            | Concentrated       | Diluted   | Hexane    | Benzol    | Acetone   | Alcohol    |             |           |
| Resistant       | Not resistant | Limited resistance | Limited resistance | Resistant | Resistant | Resistant | Resistant | Resistente | Resistant   | Resistant |

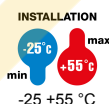
**DIMENSIONAL**



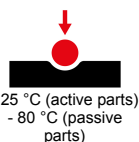
**TECHNICAL SYMBOLOGY**

**IP**  
IP67

**IK**  
IK08



**GWT**  
850 °C (active parts)  
- 650 °C (passive parts)



**STANDARDS/APPROVALS**



GEWISS S.p.A. Via A. Volta, 1  
24069 Cenate Sotto - Bergamo - Italy  
tel. +39 035 94 61 11 fax +39 035 94 69 09

www.gewiss.com  
sat@gewiss.com  
Last update 21/07/2025

Data, measures, designs and pictures are shown only as informative purposes, and could be changed without previous notice