

# Cable Termination

## Cable Lug Terminals

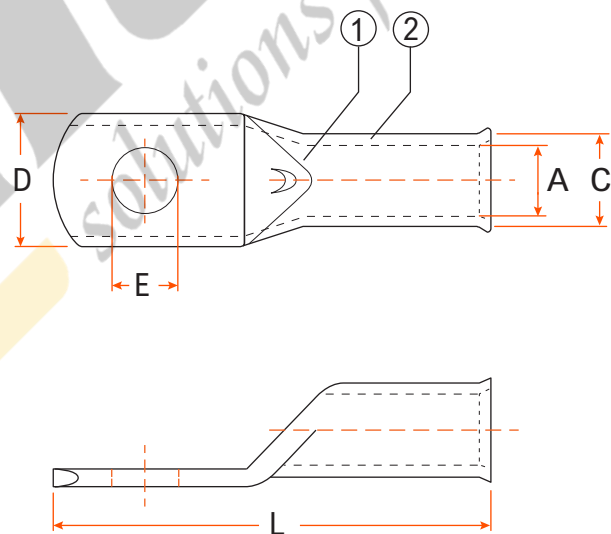
- **Materials:**

Terminal body: Copper.  
Plating: Bright electro tin.



- **Features:**

Excellent corrosion resistance and conductivity.  
Bell mouth for easy cable entry.  
Used for terminating onto studs or bolts for heavy duty applications.  
Terminal has an inspection hole to ensure cable is fully inserted.



### Material

- ① Copper
- ② Bright electro tin

See product technical table  
on next page

# Cable Termination

## Cable Lug Terminals

Item No.	Wire Range (mm <sup>2</sup> )	Stud Hole E (mm)	Dimensions (mm)			
			A	C	D	L
R4 - 6	4	6.5	3.1	4.8	10	20
R6 - 4	6	4.2	3.8	5.5	10	23
R6 - 5	6	5.2	3.8	5.5	10	23
R6 - 6	6	6.5	3.8	5.5	10	24
R6 - 8	6	8.2	3.8	5.5	12	24
R6 - 10	6	10.5	3.8	5.5	15	27
R10 - 5	10	5.2	4.5	7.1	11	25
R10 - 6	10	6.5	4.5	6.2	11	25
R10 - 8	10	8.2	4.5	6.2	12	27
R10 - 10	10	10.5	4.5	7.1	15	35
R10 - 12	10	12.7	4.5	7.5	15	35
R16 - 5	16	5.2	5.4	7.0	12	30
R16 - 6	16	6.5	5.4	7.0	12	32
R16 - 8	16	8.2	5.4	7.0	12	32
R16 - 10	16	10.5	5.4	7.0	15	40
R16 - 12	16	12.7	5.4	7.0	17	40
R25 - 6	25	6.5	6.8	8.8	13	30
R25 - 8	25	8.2	6.8	8.8	13	30
R25 - 10	25	10.5	6.8	8.8	15	30
R25 - 12	25	12.7	6.8	8.8	16	30
R35 - 6	35	6.5	8.2	10.2	16	35
R35 - 8	35	8.2	8.2	10.2	16	35
R35 - 10	35	10.5	8.2	10.2	16	35
R35 - 12	35	12.7	8.2	10.2	18	42
R35 - 14	35	14.7	8.2	10.5	23	44
R50 - 6	50	6.5	9.5	12.0	18	49
R50 - 8	50	8.2	9.5	12.0	18	43
R50 - 10	50	10.5	9.5	12.0	18	43
R50 - 12	50	12.7	9.5	12.0	20	43
R50 - 14	50	14.7	9.5	12.0	21	43
R50 - 16	50	17.0	9.5	12.0	21	43
R70 - 6	70	6.5	11.2	14.5	21	50
R70 - 8	70	8.2	11.2	14.5	21	50
R70 - 10	70	10.5	11.2	14.5	21	50
R70 - 12	70	12.7	11.2	14.5	21	50

# Cable Termination

## Cable Lug Terminals

Item No.	Wire Range (mm <sup>2</sup> )	Stud Hole E (mm)	Dimensions (mm)			
			A	C	D	L
R70 - 14	70	14.7	11.2	14.5	22	50
R70 - 16	70	17.0	11.2	14.5	26	57
R95 - 6	95	6.5	13.5	17.2	25	56
R95 - 8	95	8.2	13.5	17.0	25	60
R95 - 10	95	10.5	13.5	17.0	25	55
R95 - 12	95	12.7	13.5	17.0	25	55
R95 - 14	95	14.7	13.5	17.0	25	55
R95 - 16	95	17.0	13.5	17.0	25	55
R95 - 20	95	21.0	13.5	17.2	28	64
R120 - 8	120	8.2	15.0	19.0	28	60
R120 - 10	120	10.5	15.0	19.0	28	60
R120 - 12	120	12.7	15.0	19.0	28	60
R120 - 14	120	14.7	15.0	19.0	28	60
R120 - 16	120	17.0	15.0	19.0	28	60
R150 - 8	150	8.4	16.5	21.0	30	69
R150 - 10	150	10.5	16.5	21.0	30	69
R150 - 12	150	12.7	16.5	21.0	30	69
R150 - 14	150	14.7	16.5	21.0	30	69
R150 - 16	150	17.0	16.5	21.0	30	69
R150 - 20	150	21.0	16.5	21.0	30	69
R185 - 10	185	10.5	18.5	23.0	34	78
R185 - 12	185	12.7	18.5	23.0	34	78
R185 - 14	185	14.7	18.5	23.0	34	78
R185 - 16	185	17.0	18.5	23.0	34	78
R185 - 20	185	21.0	18.5	23.0	34	78
R240 - 10	240	10.5	21.5	26.0	38	92
R240 - 12	240	12.7	21.5	26.0	38	92
R240 - 14	240	14.7	21.5	26.0	38	92
R240 - 16	240	17.0	21.5	26.0	38	92
R240 - 20	240	21.0	21.5	26.0	38	92
R300 - 8	300	8.4	23.5	29.0	42	100
R300 - 10	300	10.5	23.5	29.0	43	101
R300 - 12	300	12.7	23.5	29.0	43	101
R300 - 14	300	14.7	24.0	29.0	43	101
R300 - 16	300	17.0	24.0	29.0	43	101

# Cable Termination

## Cable Lug Terminals

Item No.	Wire Range (mm <sup>2</sup> )	Stud Hole E (mm)	Dimensions (mm)			
			A	C	D	L
<b>R300 - 20</b>	300	21.0	23.5	29.0	43	101
<b>R400 - 10</b>	400	10.5	30.0	37.0	52	117
<b>R400 - 12</b>	400	13.0	28.5	36.0	53	114
<b>R400 - 14</b>	400	14.7	28.5	36.0	53	114
<b>R400 - 16</b>	400	17.0	28.5	36.0	53	114
<b>R400 - 20</b>	400	21.0	29.0	36.0	53	114
<b>R500 - 12</b>	500	13.0	30.0	36.0	56	124
<b>R500 - 14</b>	500	14.7	30.0	36.0	56	124
<b>R500 - 16</b>	500	17.0	30.0	36.0	56	124
<b>R500 - 20</b>	500	21.0	30.0	36.0	56	124
<b>R630 - 12</b>	630	13.0	35.0	45.0	64	144
<b>R630 - 14</b>	630	14.7	35.0	45.0	64	144
<b>R630 - 16</b>	630	17.0	35.0	45.0	64	144
<b>R630 - 20</b>	630	21.0	35.0	45.0	64	144